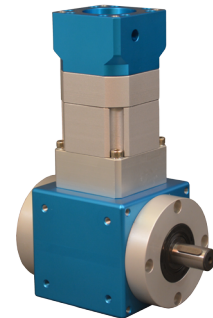


GBPHR-060x-SP Series

FEATURES

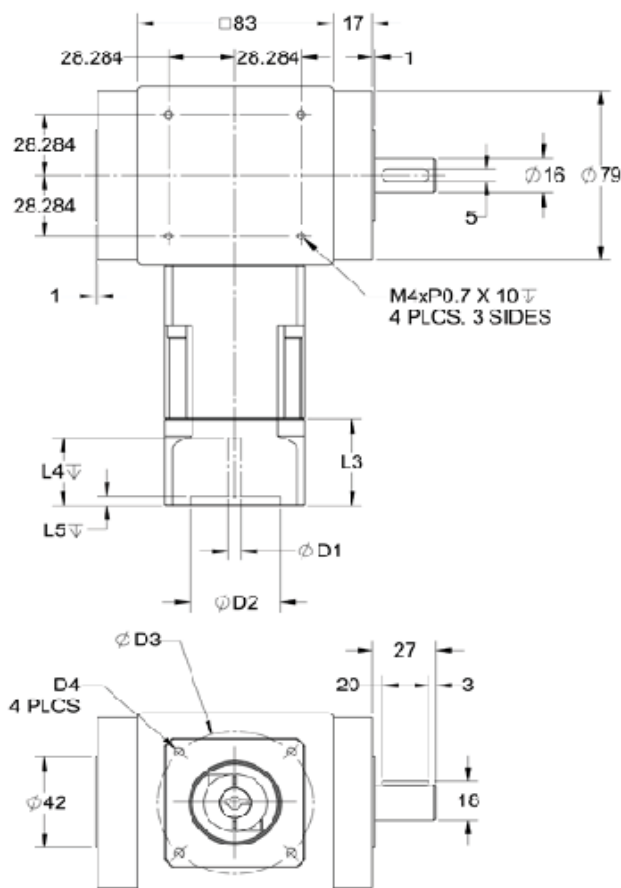
- Gear Ratios From 3 to 100
- Backlash Lower Than 16 arc-min
- Available in 1 and 2 Stage Models
- Lifetime Lubrication
- High Durability



DESCRIPTION

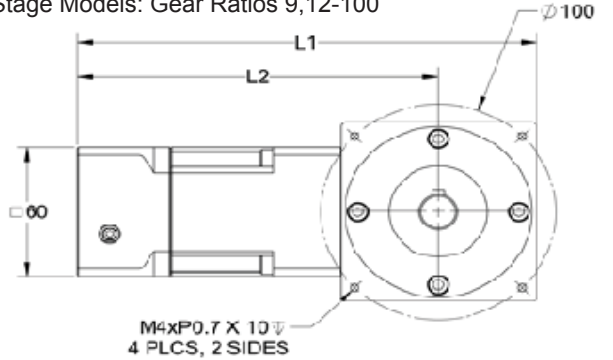
The GBPHR-060x-SP Series right angle planetary gearbox offers you the precision you need at the prices you want! This right angle planetary gearbox is designed with very low backlash for motion control, automation, and robotic applications requiring precise position requirements. This right angle planetary gearbox will match your servo or stepping motor. It comes in 18 different gear ratios. Built with the design goal of offering a cost effective product without sacrificing quality, you will find that this right angle planetary gearbox offers you an extraordinary value. Please verify all dimensions when matching a gearbox to a specific motor, as critical dimensions will vary among series and manufacturers.

DIMENSIONS



ITEM	DESCRIPTION	MOTOR INTERFACE	
		AA231-250	SMH60-551
D1	Input Shaft Diameter	6.35	14
L4	Max Shaft Length	35	35
D3	Mounting Bolt Hole Circle	66.7	70
D2	Pilot Diameter	38	50
L5	Pilot Depth	6	6
D4	Bolt Hole Size	M5x18	M5x12
L1	Overall Length (1-Stage)	188	
L1	Overall Length (2-Stage)	210	
L2	Length (1-Stage)	146	
L2	Length (2-Stage)	168	

*1-Stage Models: Gear Ratios 3-7,10
 *2-Stage Models: Gear Ratios 9,12-100
 Units in mm



*Note Dimensions are in mm.

L011326

Model #	Gear Ratio	Nominal Rated Torque (in-lb)	Max Torque (in-lb)	Stages	Backlash Maximum (arcmin)	Weight (lbs)	Torsional Rigidity (Nm/arcmin)
GBPHR-0601-SP-003-xxxxx-yyy	3	390	1170	1	12	9.9	5
GBPHR-0601-SP-004-xxxxx-yyy	4	478	1434	1	12	9.9	5
GBPHR-0601-SP-005-xxxxx-yyy	5	407	1221	1	12	9.9	5
GBPHR-0601-SP-007-xxxxx-yyy	7	425	1275	1	12	9.9	5
GBPHR-0602-SP-009-xxxxx-yyy	9	390	1170	2	16	9.9	5
GBPHR-0601-SP-010-xxxxx-yyy	10	390	1170	1	12	9.9	5
GBPHR-0602-SP-012-xxxxx-yyy	12	478	1434	2	16	11.0	5
GBPHR-0602-SP-015-xxxxx-yyy	15	407	1221	2	16	11.0	5
GBPHR-0602-SP-016-xxxxx-yyy	16	478	1434	2	16	11.0	5
GBPHR-0602-SP-021-xxxxx-yyy	21	425	1275	2	16	11.0	5
GBPHR-0602-SP-025-xxxxx-yyy	25	407	1434	2	16	11.0	5
GBPHR-0602-SP-028-xxxxx-yyy	28	478	1434	2	16	11.0	5
GBPHR-0602-SP-030-xxxxx-yyy	30	390	1170	2	16	11.0	5
GBPHR-0602-SP-040-xxxxx-yyy	40	478	1434	2	16	11.0	5
GBPHR-0602-SP-049-xxxxx-yyy	49	425	1275	2	16	11.0	5
GBPHR-0602-SP-050-xxxxx-yyy	50	390	1170	2	16	11.0	5
GBPHR-0602-SP-070-xxxxx-yyy	70	425	1275	2	16	11.0	5
GBPHR-0602-SP-100-xxxxx-yyy	100	390	1170	2	16	11.0	5

Part numbers are based on the specifications of the motor being matched to the gearbox.

-xxxxx denotes motor pilot, -yyy denotes input shaft diameter.

For more information contact an Anaheim Automation Applications Engineer for assistance.

Operating Temperature:	-15° C - 90° C	Noise Level:	65 dB
Efficiency	88% - 91%	Design Life:	20,000 hours
Radial Load:	314 lbs - Force	Axial Load:	180 lbs - Force
Rated Input Speed:	3300 - 5500 RPM	IP Rating:	IP65